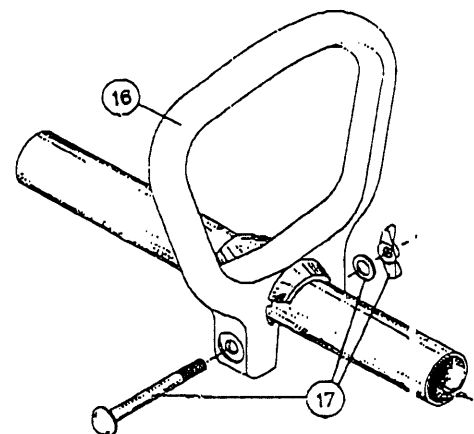
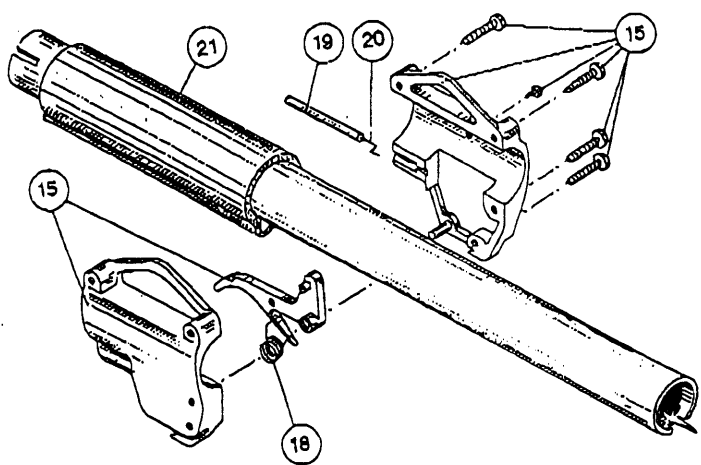


# RCT264A TRIMMER PARTS

*Singer*



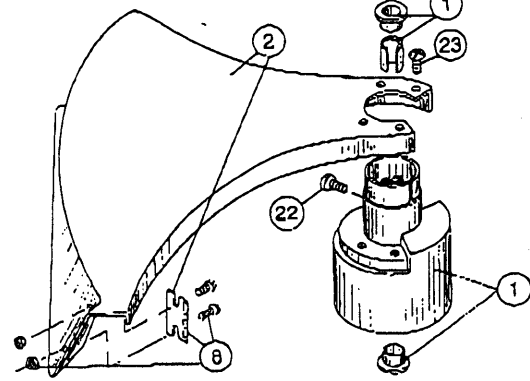
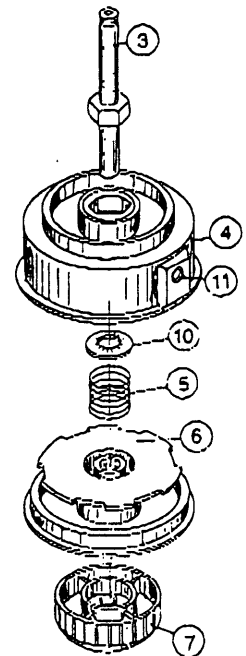
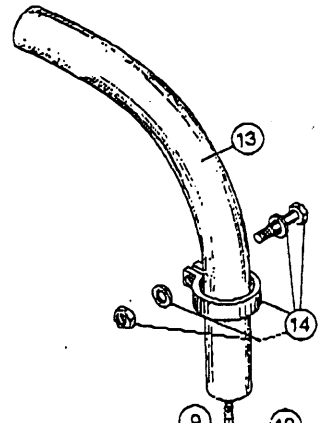
ITEM	PART NO.	PART NAME
1	147142	Bushing housing assembly
2	147839	Guard and blade assembly (includes 64)
3	147147	Spool shaft
4	147148	Outer spool & eyelet assembly (includes 66,67)
5	147150	Spring
6	147152	Inner reel
7	147153	Bump head knob assembly
8	147144	Blade assembly
9	147139	Flexible drive shaft
10	147151	Retainer (10 pack)
11	147149	Eyelet
12	147141	Washer
13	160018	Drive shaft housing assembly
14	147138	Lower clamp assembly
15	147131	Throttle trigger assembly
16	147133	D-handle
17	147134	D-handle hardware assembly
18	147132	Throttle trigger spring
19	147737	Throttle cable housing assembly
20	147130	Throttle cable
21	147564	Main handle grip
22	147146	Anti-rotation screw
23	147145	Guard mounting screw assembly
24	147140	Retaining ring

**OPTIONAL ACCESSORIES**

- \*147073 Cutting line, 15.24 MTS (50 ft. 2 l/ls)
- \*147074 Spool and line, 9.14 MTS (30 ft. line, dual)
- \*147075 Shoulder strap assembly
- \*147275 Replacement head assembly
- \*160020 Owner's manual

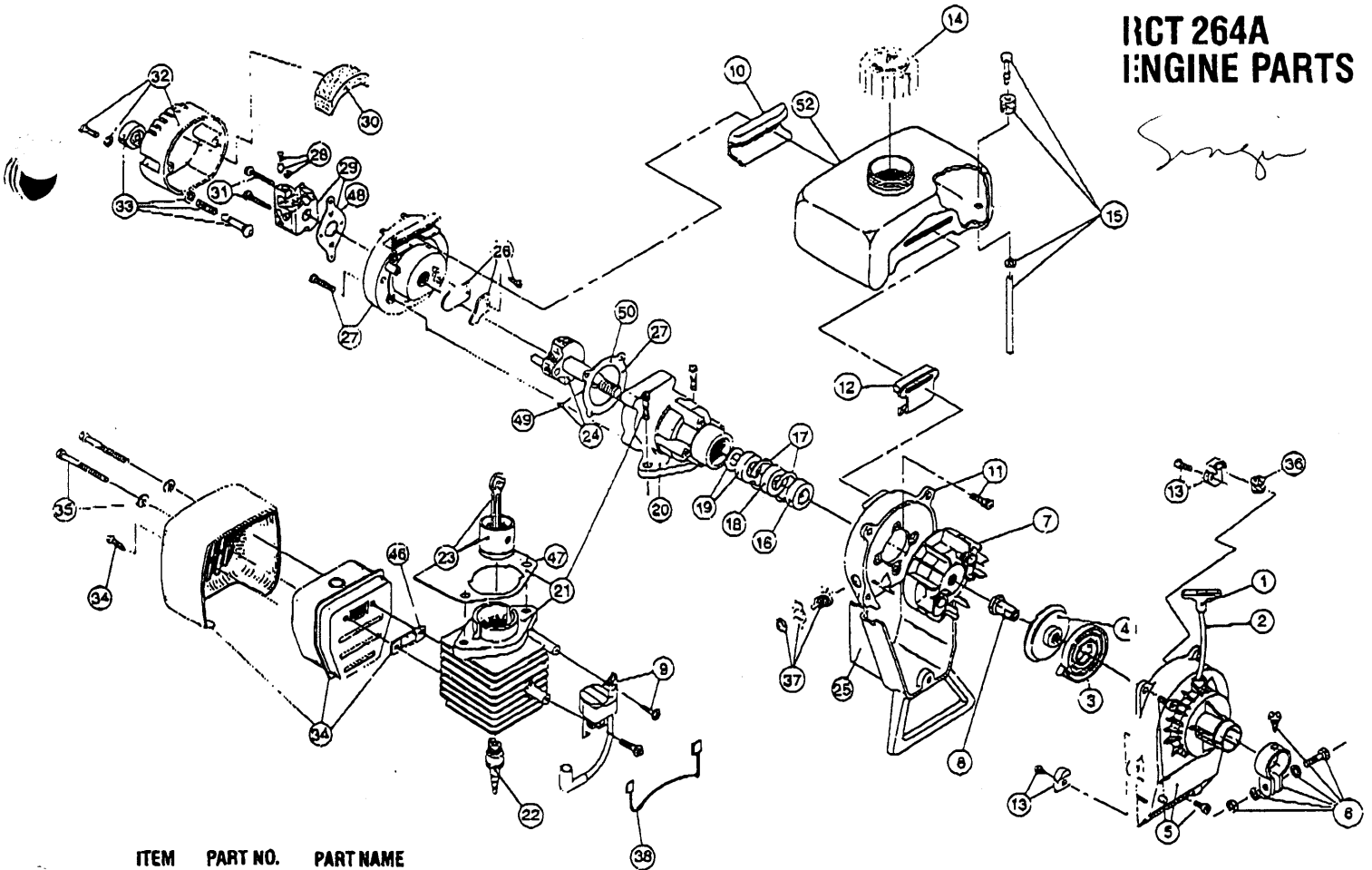
\*Not shown

The above serial nos. are for serial no. 909065157 and greater.



# RCT 264A ENGINE PARTS

*Singer*



ITEM	PART NO.	PART NAME
1	147076	Pull handle
2	147287	Rope
3	147288	Recoil spring
4	147289	Recoil pulley assembly
5	160000	Starter housing assembly
6	147080	Upper clamp assembly
7	147085	Flywheel assembly
8	147240	Square drive nut
9	147098	Module assembly
10	147110	Rear mounting pad
11	147086	Shroud assembly
12	147109	Front mounting pad
13	147209	Pulley retainer assembly
14	160002	Fuel cap assembly
15	147111	Fuel line assembly
16	147089	Outer bearing
17	147080	Snap ring assembly
18	147091	Seal
19	147092	Inner bearing assembly
20	147417	Crankcase
21	147704	Cylinder assembly
22	147095	Spark plug
23	160003	Piston & rod assembly
24	147618	Power shaft assembly
25	160016	Shroud extension & stand
26	147529	Reed assembly
27	160004	Carburetor mount assembly
28	147101	Throttle adjustment assembly (Walbro)
29	160005	Carburetor assembly (includes 15)
30	147103	Air cleaner filter
31	147104	Carburetor mounting screw assembly
32	147105	Carburetor/air filter cover assembly
33	147106	Choke knob assembly
34	160006	Muffler assembly (Includes 35)
35	160007	Muffler mounting bolt assembly
36	147127	Rope guide
37	147088	Switch assembly
38	147084	Wire lead assembly
*39	160014	Engine hardware kit
*40	160013	Engine gasket kit
*41	147119	OEM carburetor repair kit (Walbro)
*41	147521	OEM carburetor repair kit (Tillotson)

The above part nos. are for serial no. 909065157 and greater.

ITEM	PART NO.	PART NAME
*42	147871	Gasket-diaphragm repair kit (Walbro)
*42	147522	Gasket-diaphragm repair kit (Tillotson)
*43	160015	Piston ring set
*44	160011	Short block assembly (Items 16-24)
*45	160010	Crankcase service assembly (Items 16-20, 24)
46	147116	Exhaust gasket (10 pack)
47	147115	Cylinder gasket (10 pack)
48	147113	Carburetor gasket (10 pack)
49	147124	Flywheel key (10 pack)
50	147419	Carburetor mount gasket (10 pack)
*61	147125	Complete carburetor/air filter cover assembly (Items 30, 32, 33)
52	160009	Fuel tank assembly (Includes 14 & 15)
*53	160008	Carburetor mount and rear assembly (Items 26, 27)

\*Not shown

## TORQUE SPECIFICATIONS (Cold Engine)

Cylinder bolts	13.0 g/cm (120 in. lbs)
Muffler bolts	7.7 g/cm (67 in. lbs)
Carburetor mount mounting bolts	1.3 g/cm (15 in. lbs)
Carburetor mounting bolts	4.0 g/cm (40 in. lbs)
Shroud mounting bolts	13.0 g/cm (120 in. lbs)
Module mounting screws	3.2 g/cm (28 in. lbs)
Starter housing screws	4.0 g/cm (40 in. lbs)
Air cleaner cover mounting screws	4.0 g/cm (40 in. lbs)
Flywheel nut	17.5 g/cm (150 in. lbs)
Spark plug	17.5 g/cm (150 in. lbs)
Reed screw	1.3 g/cm (15 in. lbs)